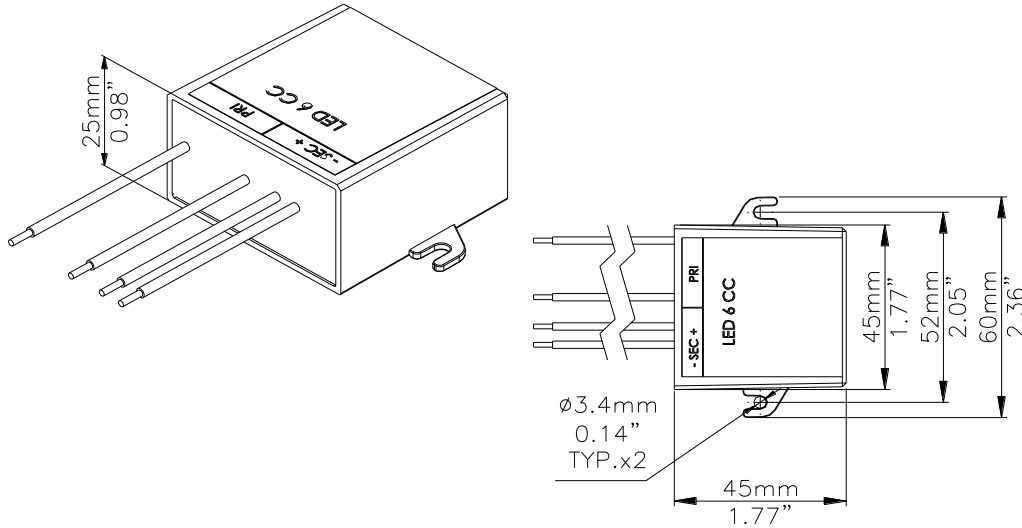
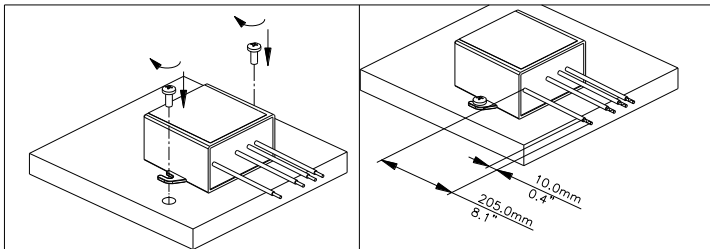


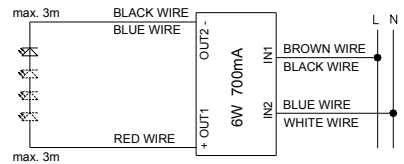
930704: POWERLED CONVERTOR 6W 700mA



Mounting Instructions



LED 700mA



Marketing

Applications:
LED in- and outdoor lighting
Architectural lighting
Orientation lighting
Ambience lighting
Task, Table and Floor lighting

Features:
Designed for IP67
Reinforced insulation from input to output
Small form factor
Protections: Electronic internal Self-Resettable Short Circuit, Input Voltage Surge, Thermal
AC Input
Fast Start-Up Time
120-240V Input
High-efficiency, high Vout range (up to 2-11V)

EN61000-3-2:2006+A1:2009+A2:2009
EN61000-3-3:2009-06
EN61000-3-3:2008
EN61347-1:2009-04
EN61347-1:2008-05
EN61347-2-13:2007-04
EN61347-2-13:2006
EN61547:2010-03
EN61547:2009
EN62384:2007-04
EN62384:2006-09
SELV

Notes:

- Specifications may vary without notice
- Always consult National, State and local electrical codes
- Parameters are measured at rated output, rated load and at an ambient temperature of 25°C
- Expect slight variation including component tolerance, setup tolerance, line regulation and load regulation
- Power supplies should always be stress tested and tested for EMC within specific fixtures
- Where grounding/earthing is not indicated, avoid grounding/earthing or contact with grounded/earthed metal enclosures
- Performance with dimmers, where supported, may vary depending on dimmer model

Specs

Field MTBF:	50000 h
Power:	6 W

Input specs

Input current:	0.07 - 0.12 A
Input voltage:	120 - 240 V
Power factor:	0.5
Input frequency:	50/60 Hz
Efficiency:	70 %

Output specs

Output current:	700 mA
Output voltage range:	2 - 11 V

Dim mable

Dimmable:	false
-----------	-------

Protections

Over temperature protection:	true
Reinforced insulation:	true
Input voltage surge protection:	true
Secondary protection:	false

Environment

Ta min:	-25 °C
Ta max:	50 °C
Tc:	75 °C
IP :	67
Storage temp.:	-10 ... 70 °C

Standards

VDE EMC:	EN61547; EN61000-3-3; EN61000-3-2; EN55015
VDE Safety:	EN61347-1; EN61347-2-13; EN62384
CE:	true
ENEC:	Certified by VDE
Class II:	false
SELV:	true

Mechanical

Potted:	true
Input wire size (mm ²):	0.75 mm ²
INPUT WIRE DOUBLE	true

INSULATED (BOOLEAN):

Input wires color:	blue/brown
Output wire size:	18 AWG
Output wire color:	black/red

Safety Instructions

1. Always disconnect power before installation and / or removal of unit.
2. Install in accordance with national and local electrical codes.
3. Wires: Input and output wires 0.75mm² or 18AWG